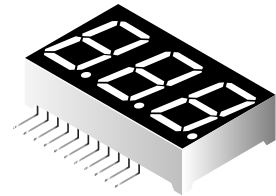
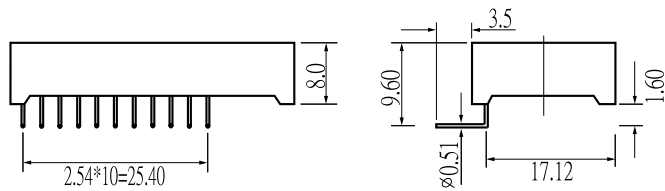
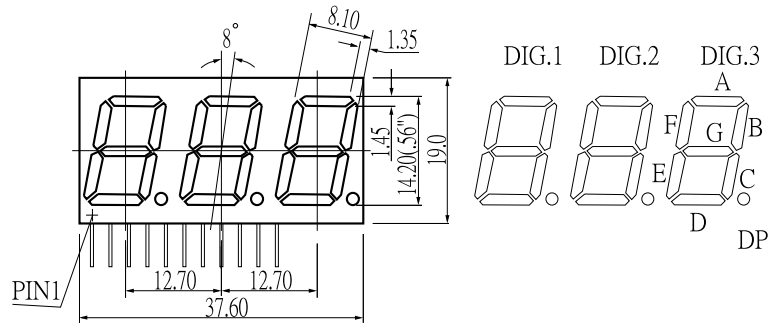
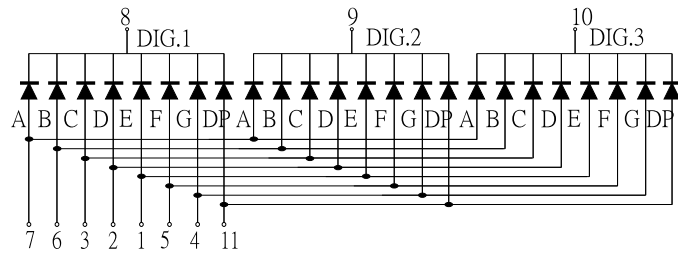


LB30564

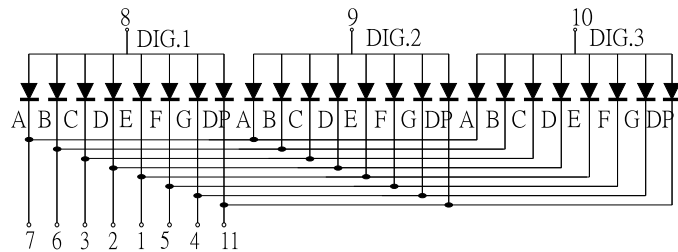


CODE J



12.13.14. NO PIN

CODE G



12.13.14. NO PIN