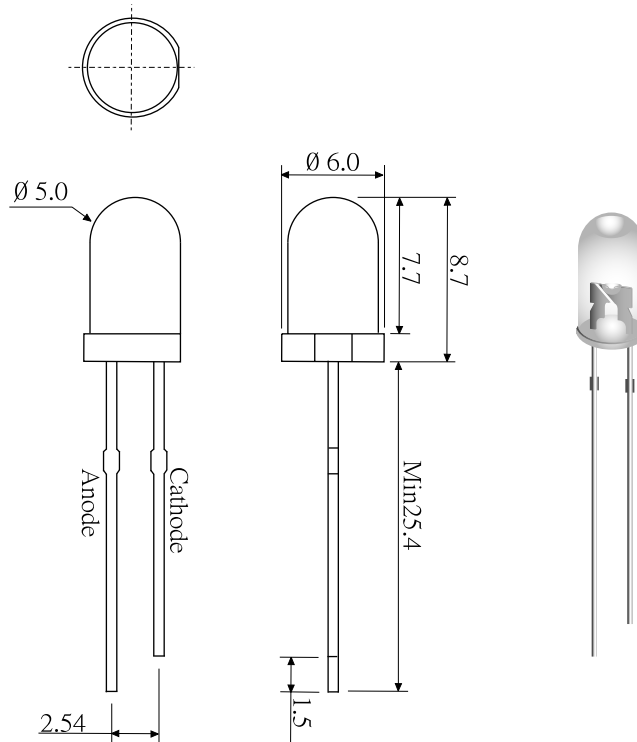


## LBB05RGBCI-2



### ELECTRICAL/OPTICAL CHARACTERISTICS AT Ta=25°C

PART No.	WAVELENGTH ( $\lambda_p$ )	LENS	LUMINOUS INTENSITY
KTB05RGBCI	RED 640 nm	Water Clear	560
	GREEN 523 nm		2400
	BLUE 470 nm		700

PARAMETER	SYM.	MIN.	TYP.	MAX.	UNIT
Operating Voltage	Vdd	2.2	3	5	V
Operating Current	Iop	0.1	0.4	0.5	mA
Quiescent Current	I <sub>sb</sub>	-	0.1	1	uA
Driving Current	I <sub>ol</sub>	-	26	-	mA
Flash Frequency	F <sub>tet</sub>	-	1.7	-	Hz
Operating Temperature	T <sub>op</sub>	0	-	70	°C
Storage Temperature	T <sub>sto</sub>	-35°C to +85°C			
Lead Soldering Temperature	T <sub>sol</sub>	260°C for 3 seconds (1.6mm From Body)			