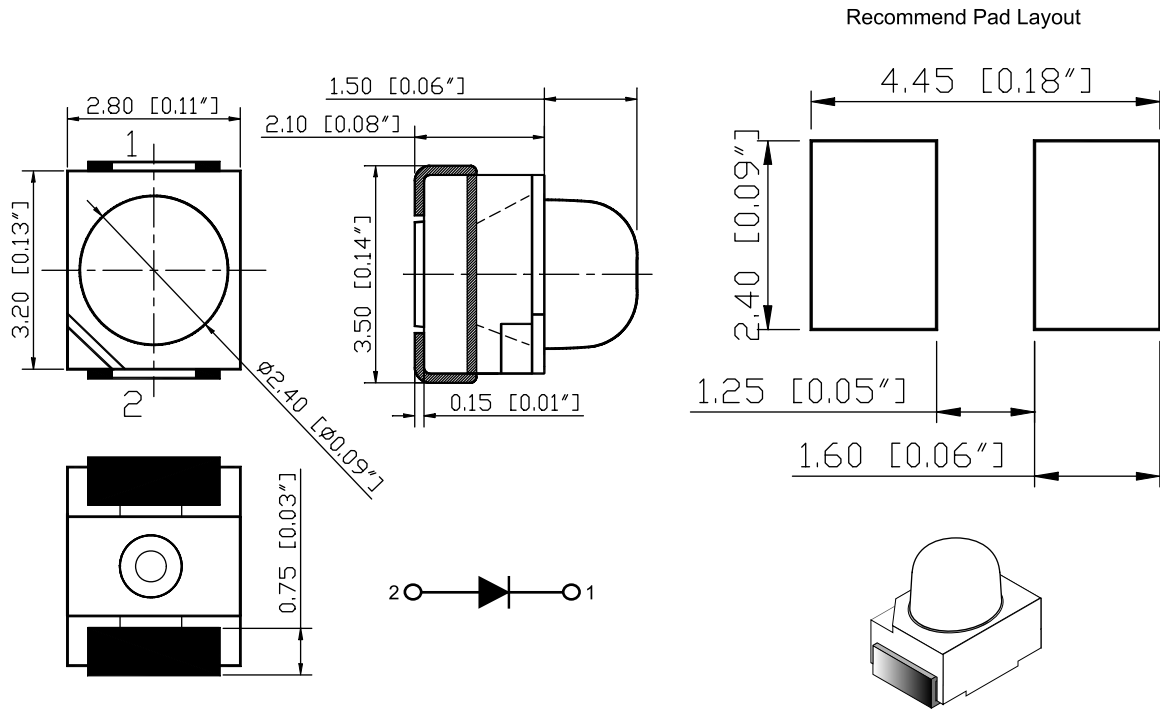


LBD315AC-U



Dice	Red (AlGaAs/GaAs)	Lens Type	Water transparent
------	-------------------	-----------	-------------------

Absolute Maximum Rating at (Ta=25°C)

Parameter	Symbol	Maximum Rating	Unit
Power Dissipation	Pd	69	mW
Forward Current	If	30	mA
Peak Forward Current Per chip *	I _{fp}	125	mA
Operating Temperature Range	Topr	- 40 °C to + 85 °C	
Storage Temperature Range	Tstg	- 40 °C to + 85 °C	
Solder Temperature 1/16 Inch Below Seating Plane for 3 seconds at 260°C			

* Condition for I_{fp} is pulse of 1/10 Duty Cycle, 0.1ms Pulse Width

Electrical/Optical Characteristics at Ta=25°C

Parameter	Symbol	Condition	Min	Typ	Max	Unit
Forward Voltage	V _f	I _f =20mA	1.7		2.3	V
Reverse Current	I _r	V _r =5V			10	uA
Luminous Intensity	I _v	I _f =20mA	50			mcd
Spectrum Width of Half Value		I _f =20mA		20		nm
Wavelength	p	I _f =20mA		655		nm
	d	I _f =20mA	635		650	nm
Viewing Angle	2			30		0°