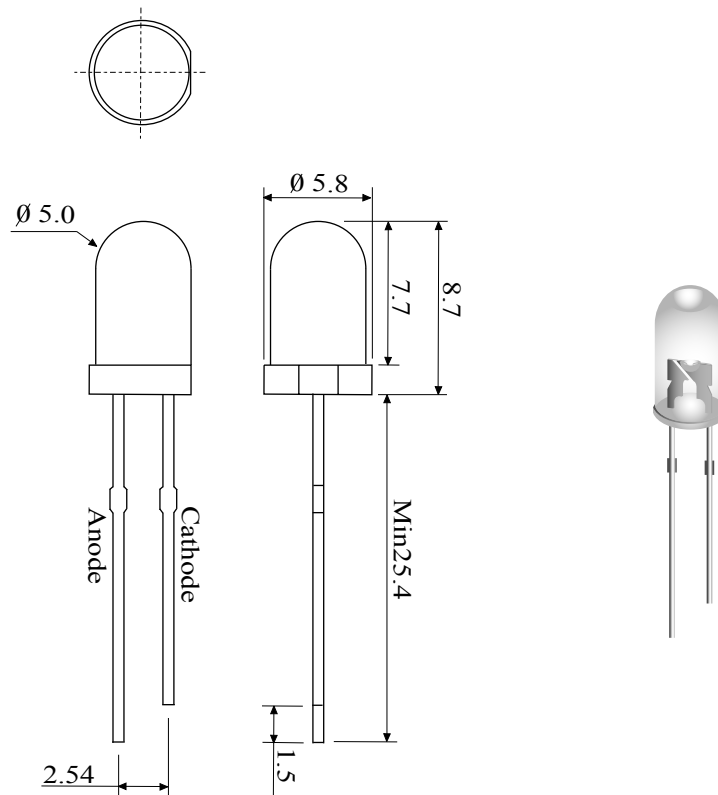


LBL050FCI-24V



- * 5mm with Orange dice with 24v Resister.
- * Encapsulated with Water Clear package.
- * long leads.

Absolute Maximum Ratings:

Parameter	Maximum Rating	Unit
Peak Forward Current	120	mA
Continuous Forward Current	30	mA
Operating temperature Range	-20°C + 75°C	
Storage Temperature Range	-40°C + 100°C	
Lead Soldering Temperature	260°C for 5 seconds	

Electre-Optical Characterure (Ta=25°C)

Parameter Radiant	Test Condition	Symbol	Min.	Typ.	Max.	Unit
Forward Voltage	If=10mA	Vf		24		V
Reverse Current	Vr=5V	Ir			10	uA
Luminous Intensity	If=10mA	Iv		700		mcd
Spectral Bandwidth	If=10mA	$\Delta\lambda$		30		nm
Wavelength	If=10mA	λ_p		605		nm
		λ_d		608		nm
Half View Angle	If=10mA	2 θ 1/2		30		deg