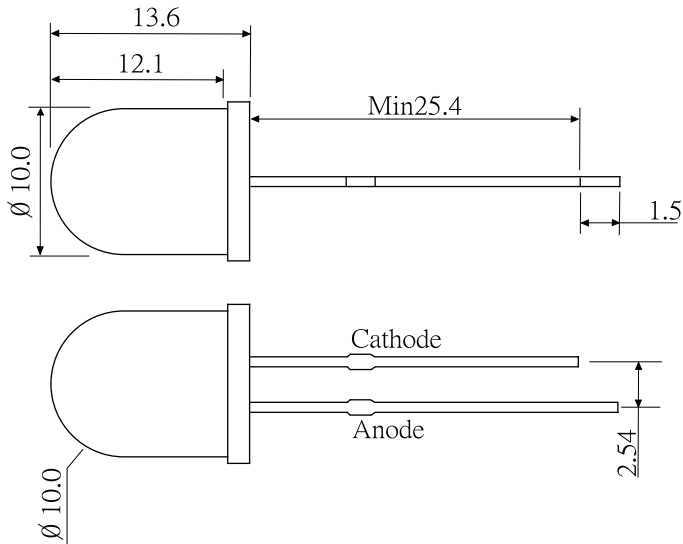


### LBL 100 ABHWI-2



- \* 10 mm Red and Blue Dice.
- \* Encapsulated with Milky Color Package.
- \* Two Long Leads.



#### Absolute Maximum Ratings:

Parameter	Maximum Rating	Unit
Peak Forward Current	120	mA
Continuous Forward Current	30	mA
Operating Temperature Range	- 20°C to +75°C	
Storage Temperature Range	- 40°C to +100°C	
Lead Soldering Temperature	260°C for 5 seconds	

#### Electro -Optical Characteristics (Ta=25°C)

Parameter	Test Condition	Symbol	Min.	Typ.	Max.	Unit	
Forward Voltage	RED	If=20mA	Vf	1.9		2.5	V
	BLUE			3.0		3.8	
Reverse Current	Vr=5V	Ir	5			A	
Luminous Intensity	RED	If=20mA	Iv	150	250		mcd
	BLUE			100	150		
Spectral Bandwidth	If=20mA					nm	
Wavelength	RED	If=20mA		620		630	nm
	BLUE			460		470	
Half View Angle	If=20mA	2 1/2		70		deg	