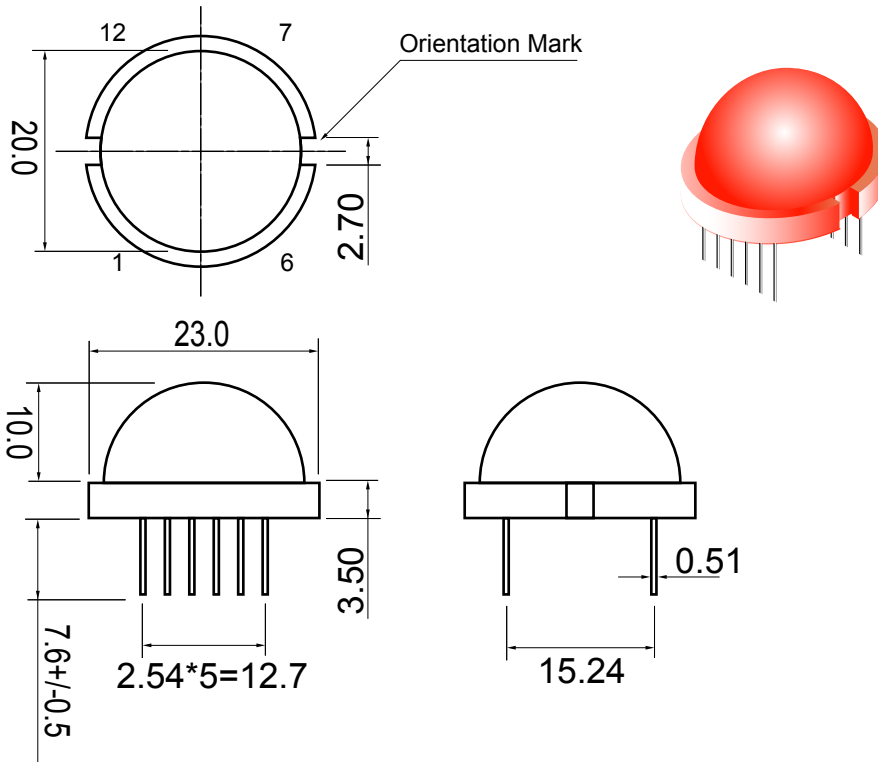


LBL 200



CODE D

